

MASS FLOW
CONTROLLERS

MASS FLOW
METERS

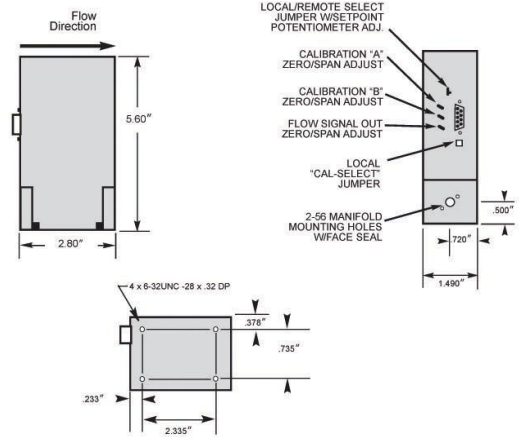
VACUUM &
PRESSURE
CONTROLLERS

CONFIGURABLE
FEATURES

CUSTOM
CONTROLLERS

FREE
EVALUATION

PRINT as PDF



Specifications:

Performance:

Linearity
Repeatability & Hysteresis
Temperature Coefficient

Response Time
(to within 1% of set point)

Long Term Stability
(Continuous Operation)

Economical

$\pm 3.0\%$ of Full Scale

$\pm 0.15\%$ FS
0.09% / °C from
21°C set point

100 msec

0.2% FS / >7500 hours

Analog

Conventional

$\pm 1.0\%$ of Full Scale

$\pm 0.15\%$ FS
0.009% / °C from
21°C set point

100 msec

0.2% FS / >7500 hours

Digital

$\pm 0.5\%$ of Full Scale

$\pm 0.15\%$ FS
0.09% / °C Uncompensated
0.005% / °C Compensated

250 msec

0.2% FS / >7500 hours

Fluid Requirements:

Calibration Gas
Flow Ranges
Pressure Range
Cal Pressure
Internal Leakage
External Leakage

Customer Specified, Non Corrosive
Customer Specified, 0 sccm at $V_c < 1\%$ FS, Min sccm at $V_c = 2\%$ FS, Max sccm at $V_c = 100\%$ FS
0-100 Psig
25 Psi - Typical
 10^{-5} sccm @ 1, 30 and 100 Psi (He)
 2×10^{-6} sccm (He)

Electrical Requirements:

Input Voltage (single supply)
Power Consumption
Control Voltage
Output Voltage

12, 15, 18, or 24 volts +10% - 3%
2.0 Watts Maximum
0 - 5 VDC, 1 - 5 VDC, or 4-20mA
0 - 5 VDC

Environmental Requirements:

Operating Ambient Temp.
Storage Temperature
Humidity Range
Nominal Temperature

0-50°C
-40 - 70°C
5% - 95% (Relative, non-condensing)
21°C $\pm 10^\circ$ C

Mechanical Configuration:

Input/Output Ports
Dimensions
Weight

10-32 Threaded (Other sizes, consult factory)
L: 2.8" W: 1.5" H: 5.6"
13.0 oz

Construction (wetted materials):

Manifold
Filter Screen
O-Rings
Valve Components
Tubing
Sealant
Flow Sensor

Nickel Plated Aluminum
Polyester
Fluorocarbon (Viton®), others at additional cost
Brass 360, AISI 300 series, 430 FR Stainless Steel
Polyurethane
Anaerobic Sealant
Engineering Thermoplastic, Silicon, Silicon Nitrite, Gold, Aluminum Oxide, Epoxy Sealant, Fluorocarbon (Viton®), Polyester